

# IMPRESS

SENSORS & SYSTEMS

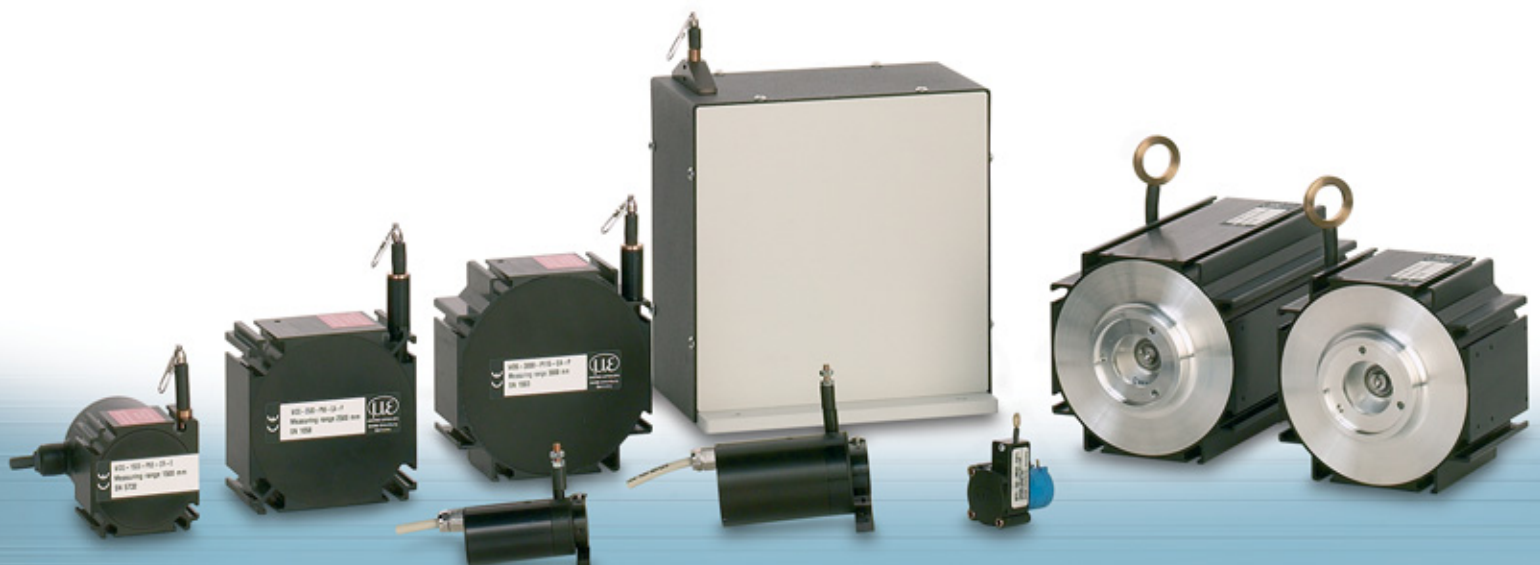
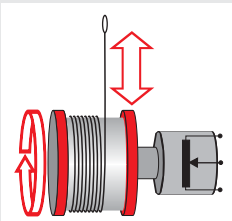
Unit 6B, Mercury House, Calleva Park  
Aldermaston, Berkshire, RG7 8PN  
Tel: +44 (0)118 981 7980  
Fax: +44 (0)118 981 7990  
e-mail: [info@impress-sensors.co.uk](mailto:info@impress-sensors.co.uk)  
Website: [www.impress-sensors.co.uk](http://www.impress-sensors.co.uk)

Pressure - Temperature - Level - Flow - Analytical - Control - Indication - Data logging

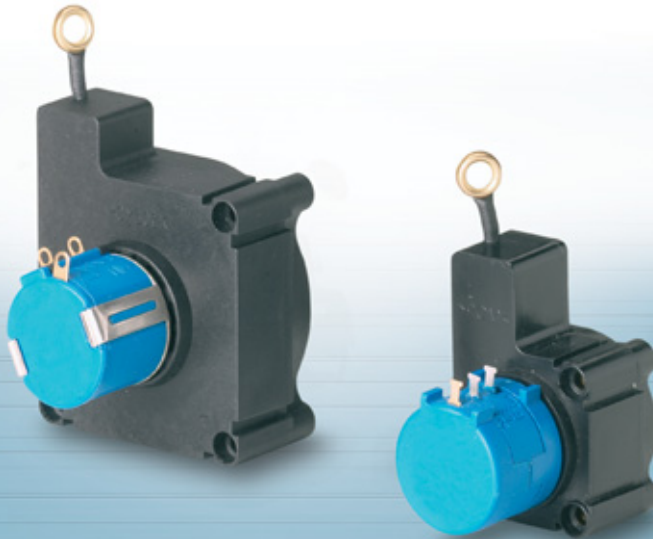
# More Precision.

**wire**SENSOR

Draw wire sensors / CET / String pots



## wireSENSOR Series MK30 / MK46

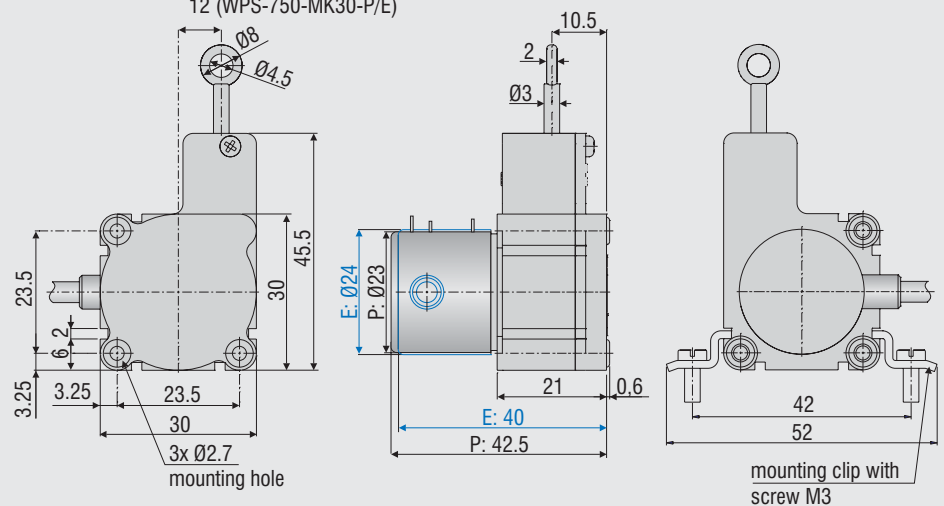


Low cost high volume model  
Potentiometric or incremental output  
Customized versions  
Smallest design in its class

Sensors of the WPS series are used in high volume applications. Due to the favorable price and the compact sensor size, new possibilities in machine design and cost optimization are available to the user. The wide range of models offers the best fit for individual and customized applications. Various measurement ranges, output interfaces and accuracy classes can be selected within this series.

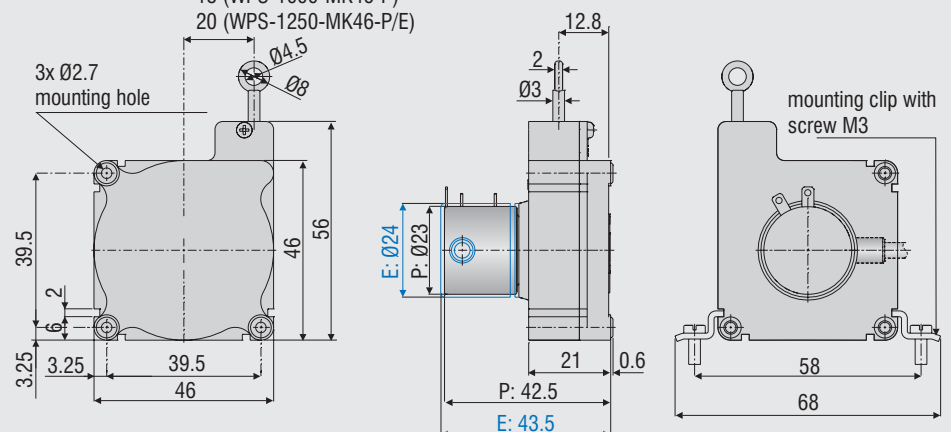
### Model MK30

8 (WPS-500-MK30-P/E)  
12 (WPS-750-MK30-P/E)

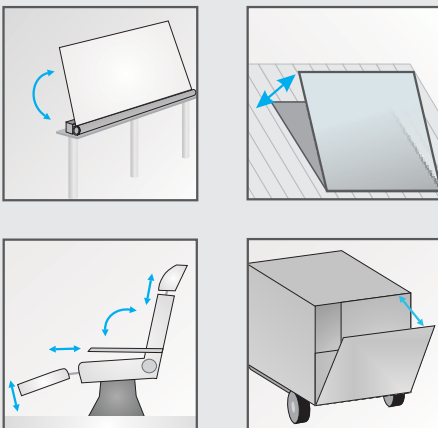


### Model MK46

18 (WPS-1000-MK46-P)  
20 (WPS-1250-MK46-P/E)



Dimensions in mm, not to scale. Please ask for detailed reference drawings.

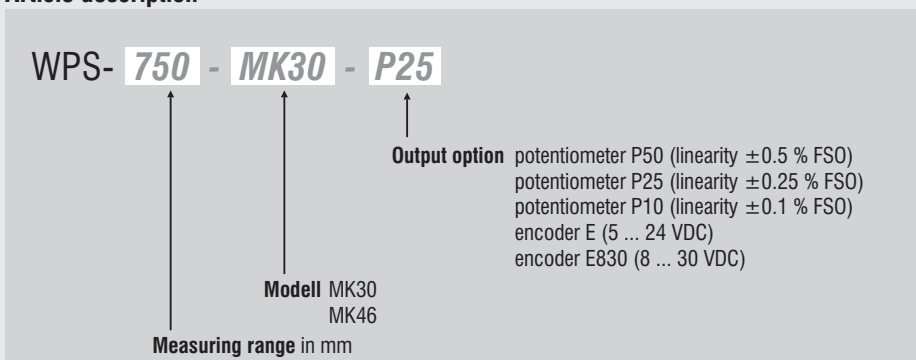


|                                  |             |   | WPS-50<br>MK30                              | WPS-150<br>MK30 | WPS-250<br>MK30 | WPS-500<br>MK30 | WPS-750<br>MK30 | WPS-1000<br>MK46 | WPS-1250<br>MK46 |  |
|----------------------------------|-------------|---|---|-----------------|-----------------|-----------------|-----------------|------------------|------------------|--|
| Output                           |             |   | P   | P               | P               | P/E             | P/E             | P                | P/E              |  |
| Measuring range                  |             |   | 50 mm                                       | 150 mm          | 250 mm          | 500 mm          | 750 mm          | 1000 mm          | 1250 mm          |  |
| Linearity                        | wire pot.   | ±0.5 % FSO  | 0.25 mm                                     | -               | -               | -               | -               | -                | -                |  |
|                                  | wire pot.   | ±0.25 % FSO   | -   | 0.375 mm        | 0.625 mm        | 1.25 mm         | 1.87 mm         | 2.5 mm           | 3.12 mm          |  |
|                                  | hybrid pot. | ±0.1 % FSO  | -   | -               | 0.25 mm         | 0.5 mm          | 0.75 mm         | 1 mm             | 1.2 mm           |  |
|                                  | encoder     | ±0.05 % FSO   | -   | -               | -               | 0.25 mm         | 0.375 mm        | -                | 0.63 mm          |  |
| Resolution                       | encoder     |   | -   | -               | -               | 10 pulses/mm    | 6.7 pulses/mm   | -                | 4 pulses/mm      |  |
|                                  |             |   | -   | -               | -               | 0.1 mm          | 0.15 mm         | -                | 0.25 mm          |  |
|                                  | wire pot.   |   | 0.1 mm                                      | 0.1 mm          | 0.1 mm          | 0.15 mm         | 0.2 mm          | 0.3 mm           | 0.4 mm           |  |
|                                  | hybrid pot. |   | quasi infinite                              |                 |                 |                 |                 |                  |                  |  |
| Sensor element                   |             | wire- / hybrid-potentiometer or incremental encoder |   |                 |                 |                 |                 |                  |                  |  |
| Temperature range                |             | -20 ... +80 °C                                      |   |                 |                 |                 |                 |                  |                  |  |
| Material                         | housing     |   | plastic                                     |                 |                 |                 |                 |                  |                  |  |
|                                  | draw wire   |   | coated polyamid stainless steel (ø 0.36 mm) |                 |                 |                 |                 |                  |                  |  |
| Wire mounting                    |             | eyelet  |   |                 |                 |                 |                 |                  |                  |  |
| Sensor mounting                  |             | mounting holes / mounting grooves                   |   |                 |                 |                 |                 |                  |                  |  |
| Wire acceleration                |             | appr. 5 g   |   |                 |                 |                 |                 |                  |                  |  |
| Wire retraction force (min)      |             | appr. 1 N   |   |                 |                 |                 |                 |                  |                  |  |
| Wire extension force (max)       |             |   | appr. 2.5 N                                 |                 |                 |                 |                 | 1.6 N            | 1.5 N            |  |
| Protection class<br>DIN EN 60529 | P           |   | IP 20                                       |                 |                 |                 |                 |                  |                  |  |
|                                  | E           |   | IP54  |                 |                 |                 |                 |                  |                  |  |
| Electrical connection            | P           |   | soldering tag                               |                 |                 |                 |                 |                  |                  |  |
|                                  | E           |   | cable radial, 1 m                           |                 |                 |                 |                 |                  |                  |  |
| Weight                           | P           |   | appr. 45 g                                  |                 |                 |                 |                 | appr. 80 g       |                  |  |
|                                  | E           |   | appr. 80 g                                  |                 |                 |                 |                 | appr. 120 g      |                  |  |

FSO = Full Scale Output

Specifications for analog and digital outputs on page 27 and continuing

## Article description



# More Precision.

## Sensors and systems

for displacement, position and dimension

## Sensors and measurement devices

for non-contact temperature measurement

## Measurement systems

for online/offline quality control