



Sense
Measure
Control

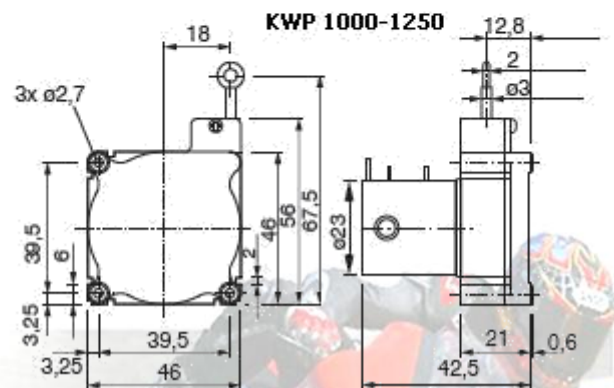
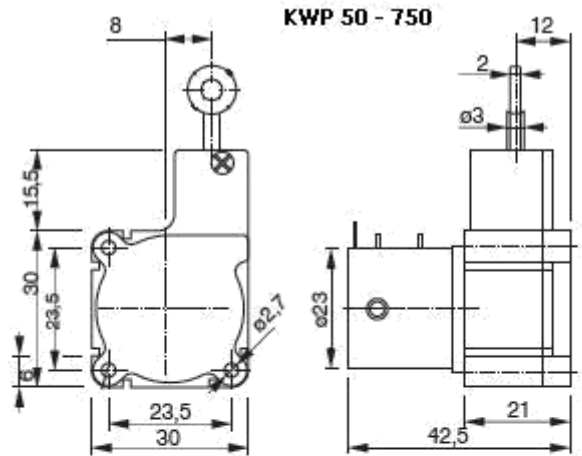
Model KWP Wire Potentiometer

- **Miniature Size**
- **50 to 1250mm Range**
- **Excellent Linearity**
- **Long Life**
- **Compact Design**

The KWP series of Wire Potentiometers are designed to withstand the harsh environment of Industrial and Motorsport applications. Using a retractable stainless steel wire, the sensors offer high performance and reliability. Typical applications include: pedal movement, steering angle, suspension travel.



| | | | | | | | |
|----------------------------|---|------|------|------|------|-------------|------|
| Range mm | 50 | 150 | 250 | 500 | 750 | 1000 | 1250 |
| Linearity +/- % FS | 0.5 | 0.25 | 0.25 | 0.25 | 0.25 | 0.25 | 0.25 |
| Resolution mm | 0.1 | 0.1 | 0.1 | 0.15 | 0.2 | 0.3 | 0.4 |
| Resistance kΩ | 1.0 +/-10% | | | | | | |
| Temperature range | -20 to +80°C | | | | | | |
| Material | Case: Plastic Draw Wire: Polyamid coated stainless steel | | | | | | |
| Draw wire acceleration | Approx 5G | | | | | | |
| Draw wire retraction force | Approx 1N | | | | | | |
| Draw wire extension force | Approx 2.5N | | | | | 1.6N | 1.5N |
| Protection class | IP20 or IP60 with cable and boot fitted | | | | | | |
| Electrical connection | Solder tabs or 1m 55spec 26AWG wire + DR25 sleeve | | | | | | |
| Weight without cable | Approx 40g | | | | | Approx 120g | |



Ordering Information: **KWP – Range (mm) – Electrical connection (S/C)**

Eg: KWP-150-C

Wire Potentiometer – 150mm range – Cable connection



KWP.1211

KA Sensors Ltd – The Old Malthouse – Springfield Road – Grantham – NG31 7BG – UK

Tel: +44 (0)1476 568057

Fax: +44 (0)1476 561495

Email: sales@kasensors.co.uk

Web: www.kasensors.co.uk