

Sense
Measure
Control

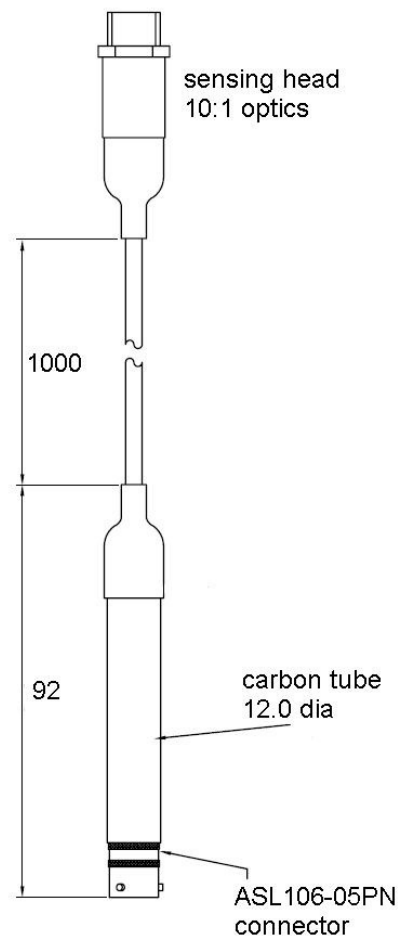
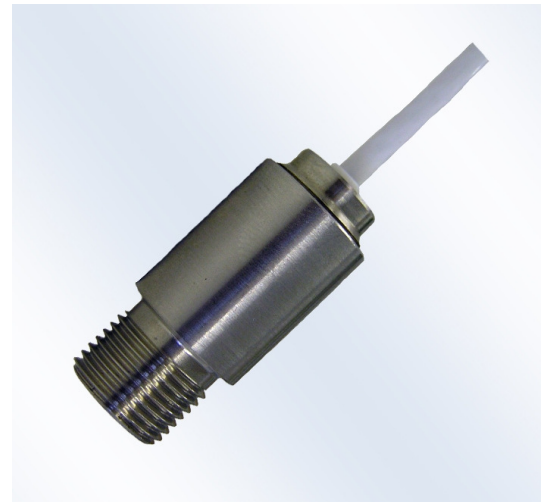
K-IR Series-Infrared Temperature Sensor

- **Miniature size**
- **10:1 optics**
- **Measure up to 1000°C**
- **0-5V output**
- **Rugged construction**

The K-IR Series of miniature infrared temperature sensors offer a compact, robust and reliable solution for non-contact measurements on motor-sports installations.

Measurements of tyres, carbon & steel brakes and engine temperatures are possible. Simple user friendly configuration software allows optimum setup of the sensor for each application. Or KA Sensors can supply the sensor already setup ready to use.

Range:	-20 to 1000°C
Emissivity/Gain:	Adjustable 0.10 to 1.10
Spectral range:	8 - 14µm
Optical range:	10:1 (10mm spot @100mm)
Accuracy:	<±1.5% FS
Repeatability:	<±0.5% FS
Supply:	5V to 28V dc
Output:	0 – 5V (Adjustable)
Operating temp:	-20 to +120°C (sensing head)
Compensated temp:	-20 to +70°C
Construction:	Stainless steel
Cable:	1 metre cable
Electronics:	Fitted in carbon tube
Environmental:	IP65
Weight:	<40g sensing head <30g cable + electronics
Options:	Mounting brackets Protection lens (against track debris) Right angle mirror lens Air purge lens

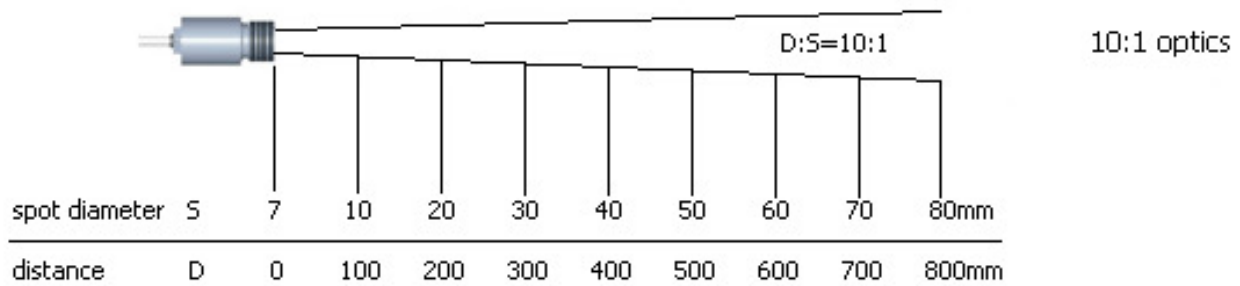


E & OE 11/07

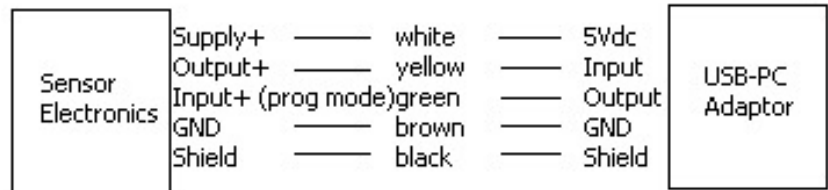
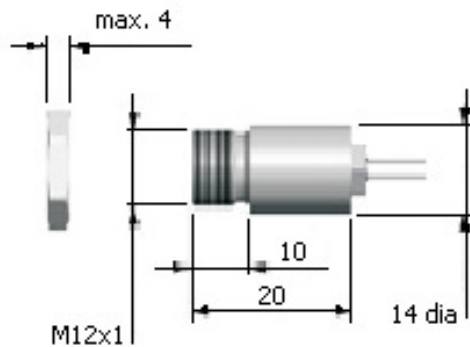
KA Sensors Ltd. PO Box 8826. Grantham. Lincolnshire. NG31 0AR. UK
t/f: +44 (0)1476 561495 e: sales@kasensors.co.uk w: www.kasensors.co.uk

Registered in England, No: 5756967

Optical specifications

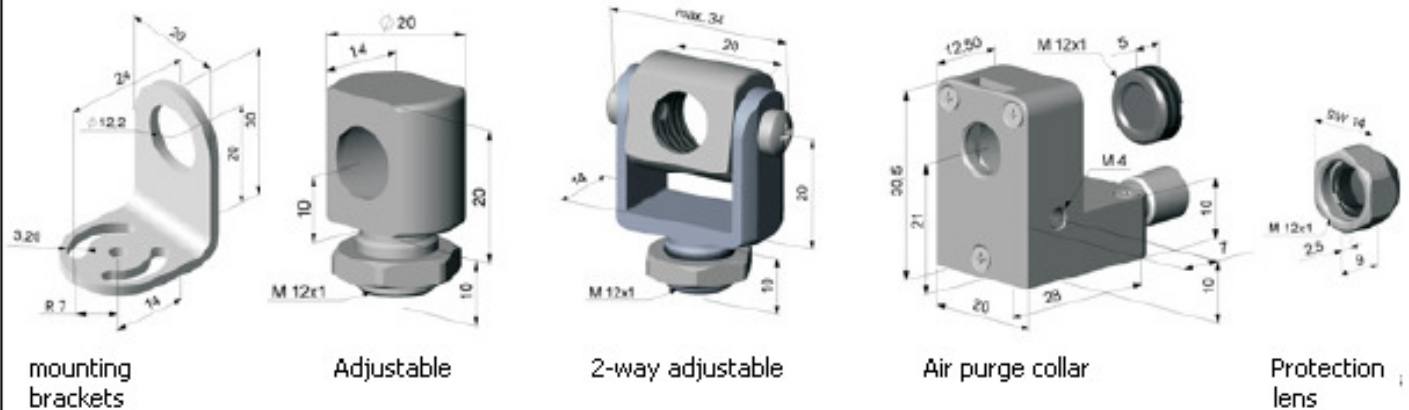


Dimensions/connections

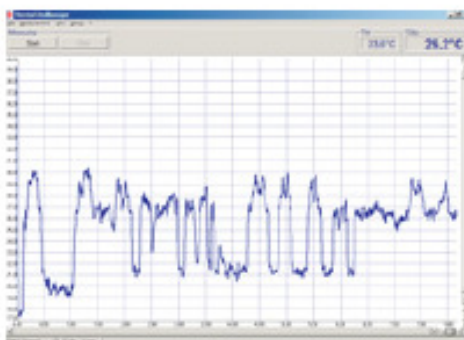


Connection to optional USB programming module

Accessories



Configuration and data logging software



- easy sensor configuration via USB interface
- data logging software for analysis and recording of data
- graphical display of temperature profile
- setup of sensor parameters
- adjustment of output level
- alarm setpoint configuration